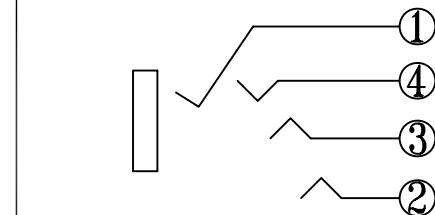
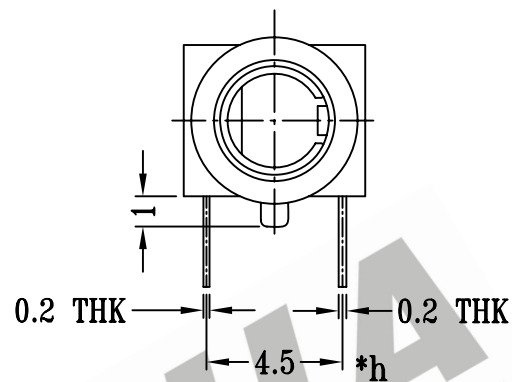
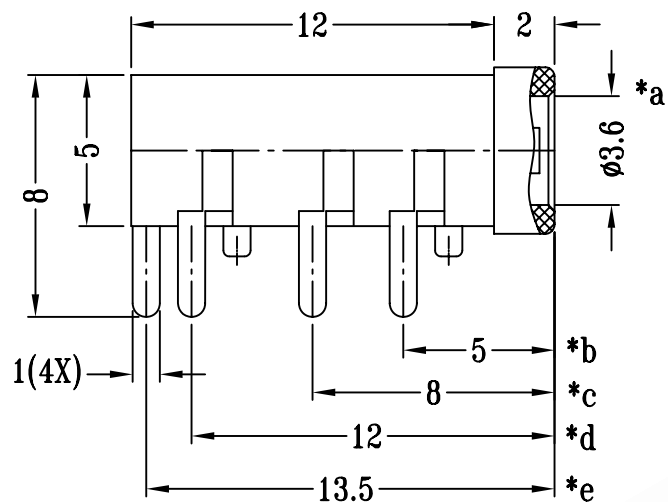
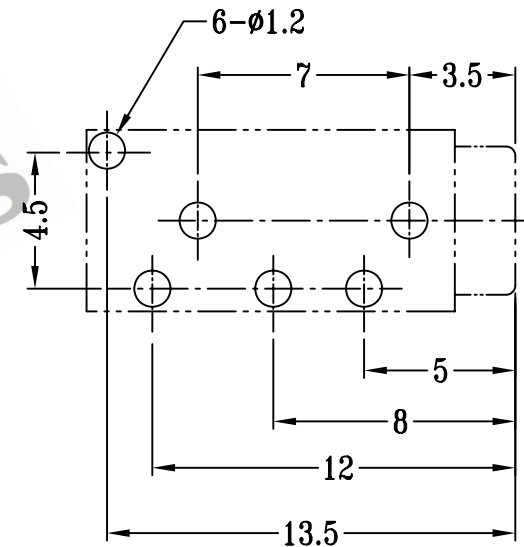
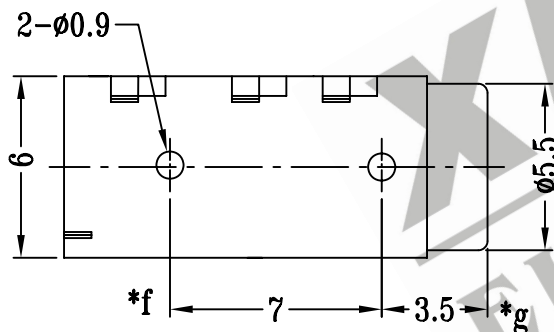


CAD FILE:



SCHEMATIC



P.C.B LAYOUT

注:带"*"表示关键尺寸(8个)

8					TOLERANCE	SHENZHEN XIEJIA ELECTRONICS CO.,LTD.			
7					UNLESS SPECIFIED				
6					WITHIN: 1.5±0.1mm				
5					OVER: 1.5±0.2mm	ISSUE	DATE	DESCRIPTIONS OF REVISION	APPD.
4					TITLE : PHONE JACK	UNIT : mm	DRWG NO.: XJ-DR-ST014-00		
3	SPRING TERMINAL B	PBS STRIP	1	Ag PLATED OVER Ni PLATED	MODEL: ST-014	SCALE: 4 : 1	DWN.	ZHOUYU	2002-8-12
2	SPRING TERMINAL A	PBS STRIP	3	Ag PLATED OVER Ni PLATED			CHK'D	FANGYING	2002-8-12
1	CASE	NYLON+F.G	1	BLACK			APPD.	KANGXINAN	2002-8-12
NO.	PARTS	MATERIALS	Q'TY	FINISH	ALL MATERIALS MUST BE COMPLIANT TO ROHS				